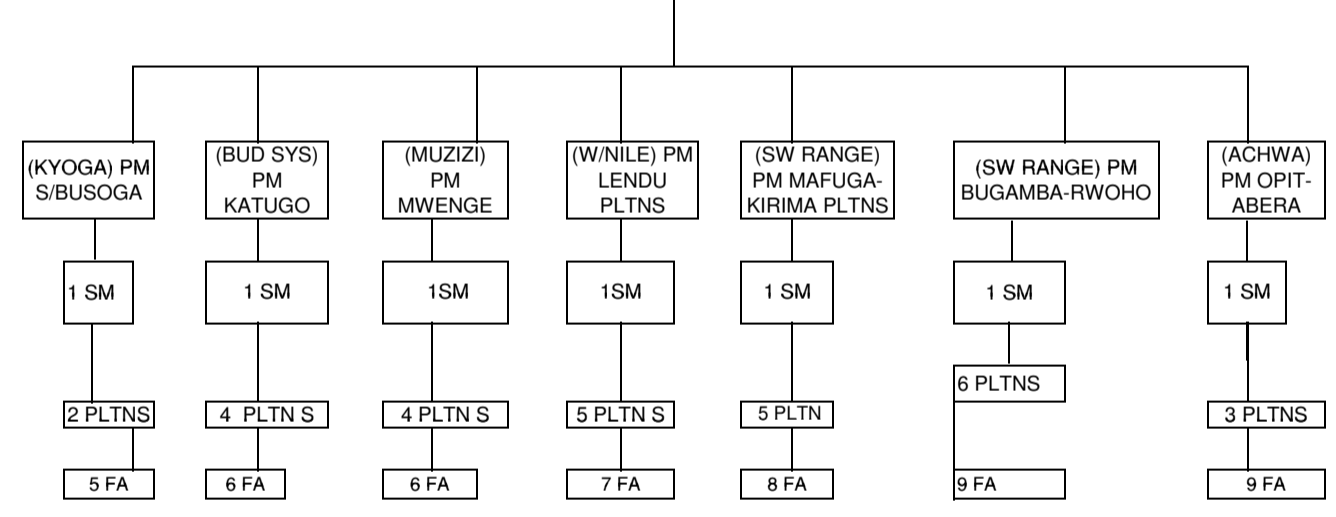
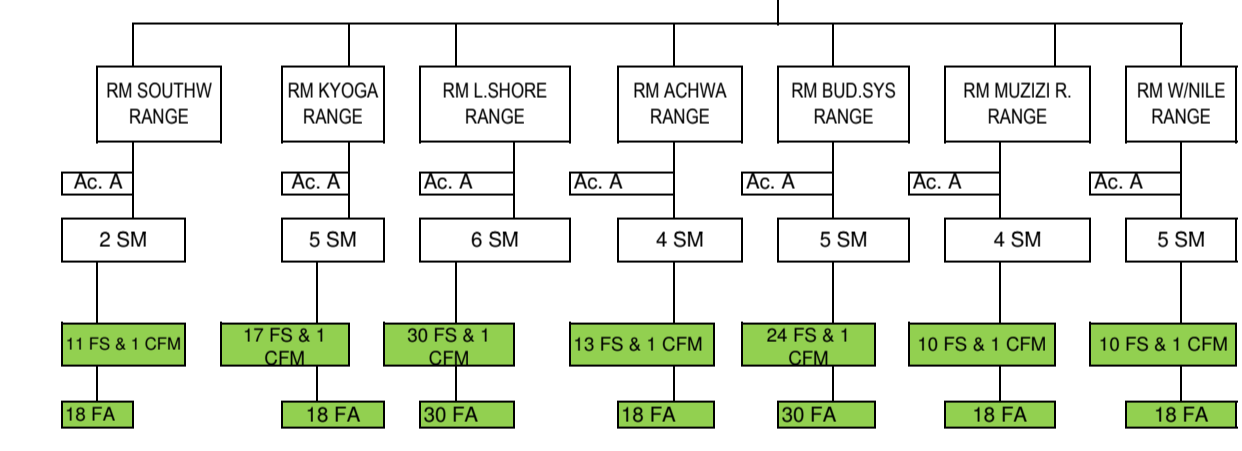
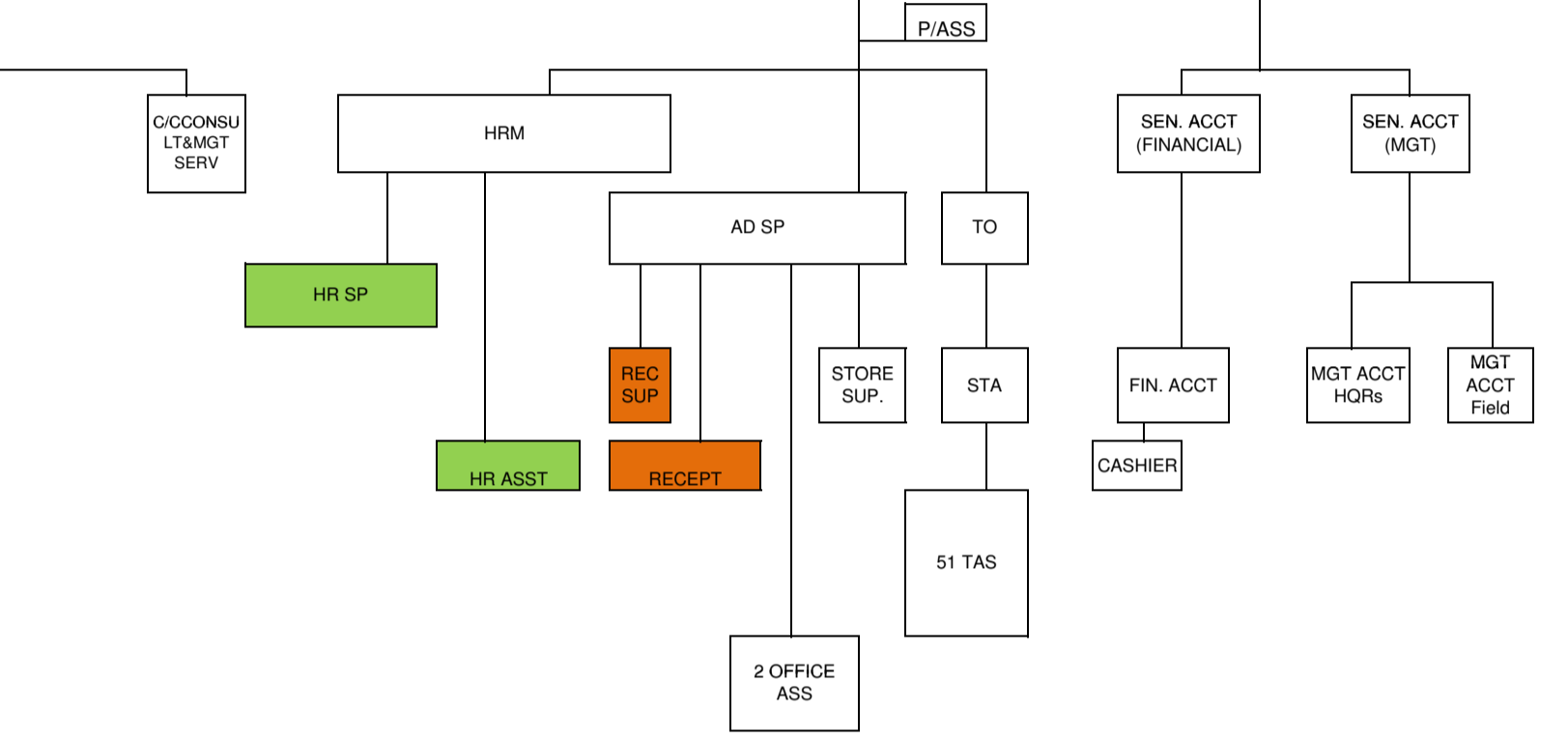
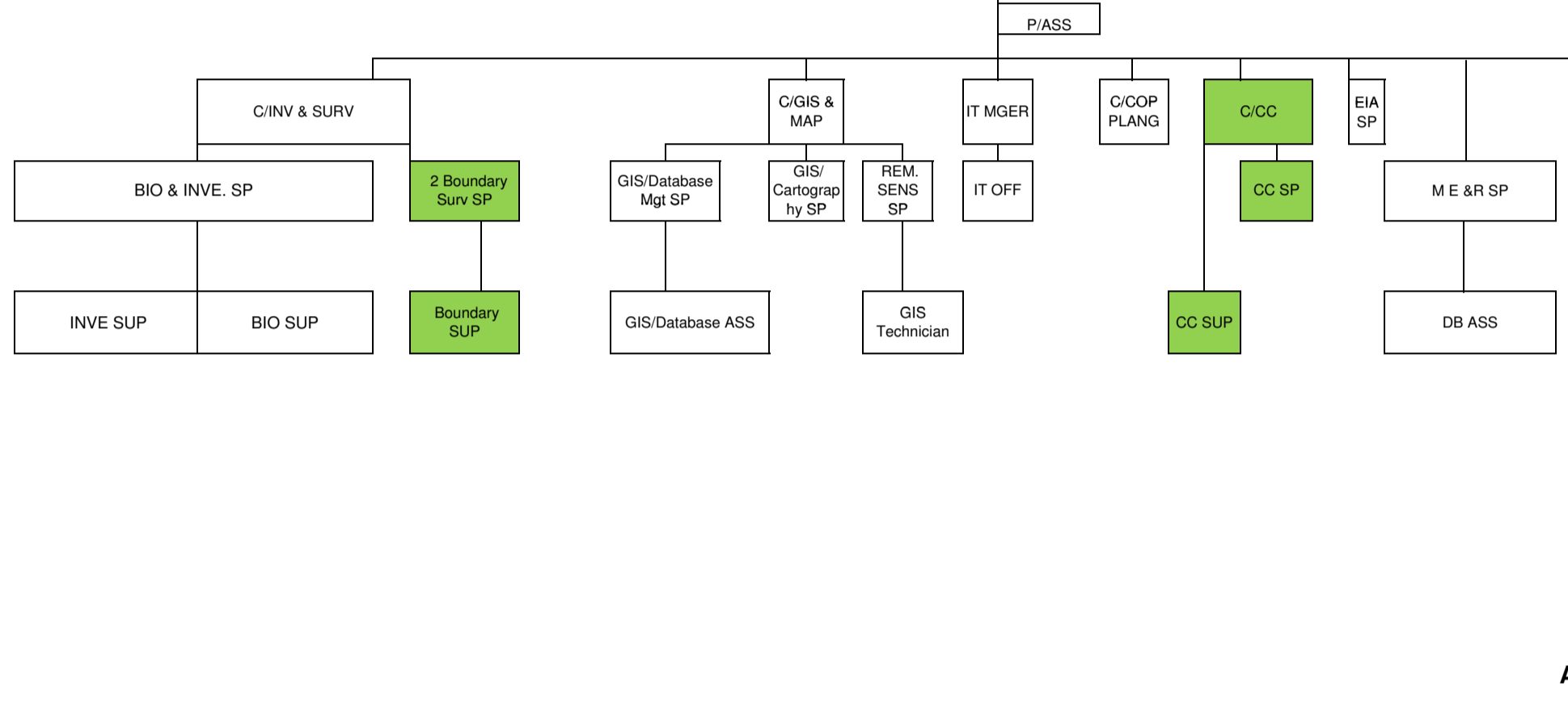
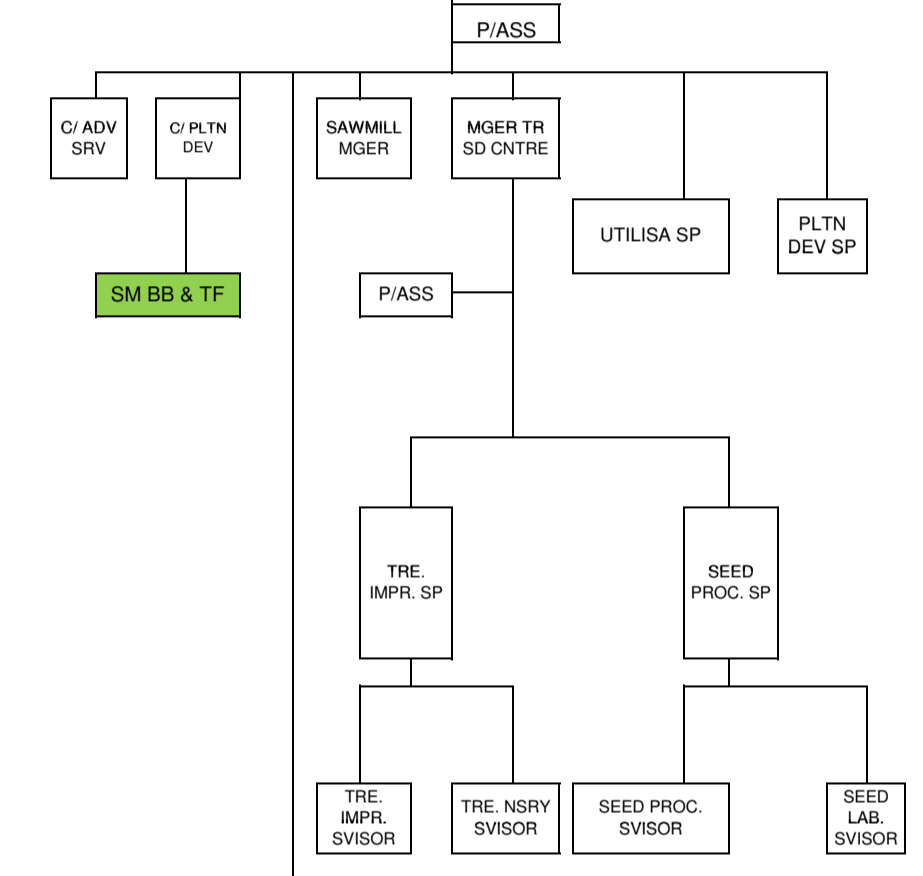
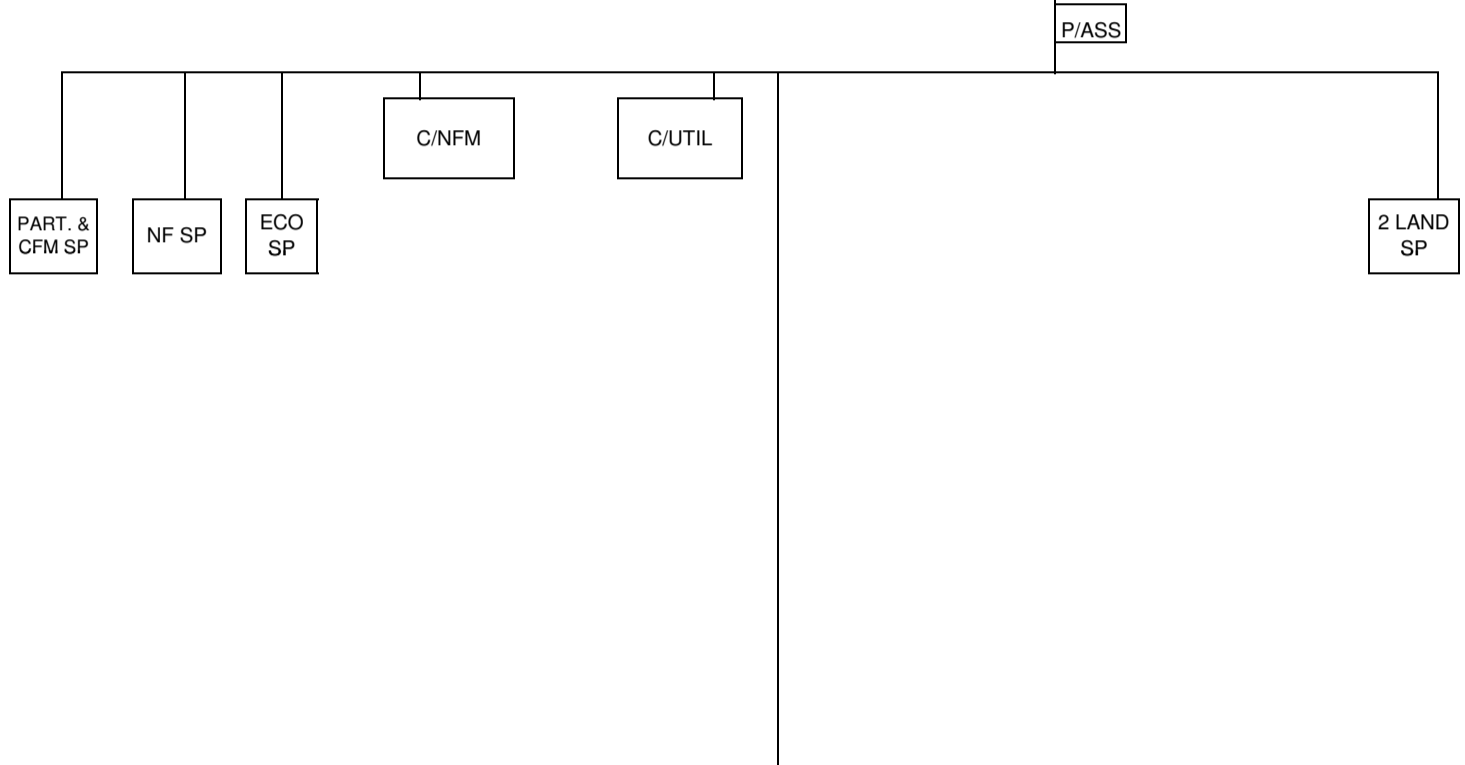
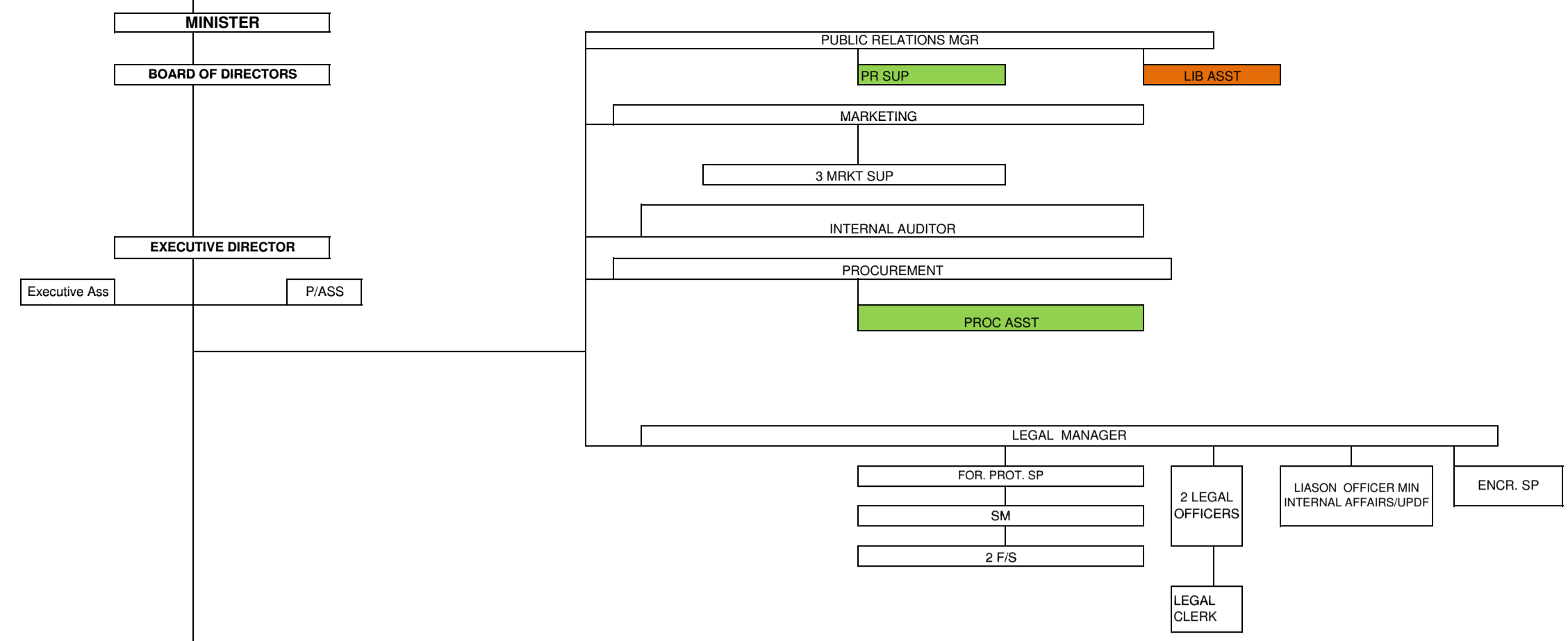


NFA APPROVED ORGANISATION STRUCTURE 31 JULY 2009



- SEN ACCT - SENIOR ACCOUNTANT.
 ACCT ASST - ACCOUNTS ASSISTANT
 C/AD.SER - COORDINATOR ADVISORY SERVICES
 ADV.SP - ADVISORY SERVICES SPECIALIST
 C/PLTN DEV - COORDINATOR PLANTATIONS DEVELOPMENT
- SAW MILL MGER - SAW MILL MANAGER
 MGER TR SD CTR - MANAGER TREE SEED CENTRE
 PLTN DEV SP - PLANTATION DEVELOPMENT SPECIALIST
 UTILISA SP - UTILISATION SPECIALIST
 TRE IMPR.SP - TREE IMPROVEMENT SPECIALIST
 SEED PROC SP - SEED PROCUREMENT SPECIALIST
 SEED PROC SVISOR - SEED PROCUREMENT SUPERVISOR
 SEED IMPR.SVISOR - SEED IMPROVEMENT SUPERVISOR
 TRE NSRY SVISOR - TREE NURSERY SUPERVISOR
 SEED LAB SVISOR - SEED LABORATORY SUPERVISOR
 C/INV SVY - COORDINATOR INVENTORY/SURVEYS
 C/IGIS & MPG - COORDINATOR GIS AND MAPPING
 IT MGER - IT MANAGER
 C/COP PLNG - COORDINATOR CORPORATE PLANNING
 PRM - PROCUREMENT MANAGER
 INV SP - INVENTORY SPECIALIST
 SP BIO/BOD SURV - SPECIALIST BOUNDARY SURVEYS
 SP GIS DB MGT - SPECIALIST GIS/DATABASE MANAGEMENT
 SP GIS CATASGHY - SPECIALIST CATALOGY
 SP REM SENS - SPECIALIST REMOTE SENSING
 EIP/R SP - ENVIRONMENTAL IMPACT ASSESSMENT SPECIALIST
 SUP INV - SUPERVISOR INVENTORY
 SUP BIOMASS - SUPERVISOR BIOMASS
 GIS DB ASST - GIS DATABASE ASSISTANT
 DB ASS - DATABASE ASSISTANT

- ABBREVIATIONS DEFINITIONS**
- HRAM - HUMAN RESOURCE & ADMINISTRATION MANAGER
 AD SP - ADMINISTRATIVE SPECIALIST
 TO - TRANSPORT OFFICER
 REC SUP - RECORDS SUPERVISOR
 RECEPT - RECEPTIONIST
 LIB ASST - LIBRARY ASSISTANT
 FAA - FIELD ADMINISTRATIVE ASSISTANT
 STORE SUP - STORES SUPERVISOR
 TAS - TRANSPORT ASSISTANT
 STA - SENIOR TRANSPORT ASSISTANTS
 OFF ASST - OFFICE ASSISTANTS
 CNF CONS - COORDINATOR NATURAL FORESTS
 LM - LEGAL MANAGER
 BIO SP - BIOMASS SPECIALIST
 PART & CFM SP - PARTNERSHIP & CORRBORATIVE FOREST MANAGEMENT SPECIALIST
 NF SP - NATURAL FOREST SPECIALIST
 ECO SP - ECOTOURISM SPECIALIST
 FOR PRO SP - FOREST PROTECTION SPECIALIST
 ENCR SP - ENCROACHMENT SPECIALIST
 LAND SP - LAND MANAGEMENT SPECIALIST
 FS - FOREST SUPERVISOR
 SM - SECTOR MANAGER
 RM - RANGE MANAGER
 PM - PLANTATION MANAGER
 TA - TRANSPORT ASSISTANT
 M&E - MONITORING AND EVALUATION SPECIALIST
 P/ASS - PERSONAL ASSISTANT/SECRETARY
 AD SP - ADMINISTRATIVE SPECIALIST
 ACCT - ACCOUNTANT
 GIS - GEOGRAPHIC INFORMATION SYSTEMS

- C/CC - COORDINATOR CLIMATE CHANGE
 HR SP - HUMAN RESOURCE SPECIALIST
 HR ASST - HUMAN RESOURCE ASSISTANT
 MRKT SUP - MARKETING SUPERVISOR
 PROC ASST - PROCUREMENT ASSISTANT
 CC SUP - CLIMATE CHANGE SUPERVISOR
 CC SP - CLIMATE CHANGE SPECIALIST
 SM & BB TF - SECTOR MANAGER BAMBOO & TREE FUND
 PR SUP - PUBLIC RELATIONS SUPERVISOR
 CFMS - COLLABORATIVE FOREST MGT SUP

PROPOSED NEW POSTS
 PROPOSED CHANGE OF REPORTING LINES